



**TRANQUIL**<sup>™</sup>  
SYSTEMS INTERNATIONAL

Adapt Framed Glass Walls



## Adapt Framed Glass Walls

Tranquil Systems International (TSI) offers superior aesthetics by providing one of the most functional and flexible glazing systems for building out glass fronts on any interior application.

### Field adjustment made easy

Tranquil Wall components are designed for “field fit assembly.” Our installers easily tailor our assemblies to conform to on site requirements during the initial installation, and as future demands require reconfiguration. To keep it simple, we do it with only sixteen different component pieces.

Finish trim components can be installed at the end of construction which preserves the look of your investment.

### Installation is a snap; just follow the lines!

Whether its initial installation or a reconfiguration, the interlocking keyed features on our aluminum components eliminate the guesswork and speed project completion.

### Elegant center mounted glass

We offer centered single pane glazing in ¼” or 3/8” tempered glass with or without horizontal architectural elements and multiple pane segmented glass. Standard framing components can be completed with opaque, marker board, or hard or gypsum board with architectural coverings. Green panel options are available as well including wheat, flake board, and wrapped melamine.

### Double-pane glass for sound control

Where sound-attenuation is a concern — or when design considerations demand it — we offer the option of double pane glazing with a 2” air space gap between the panes of glass, achieving a high STC with our system.

## Power where you need it

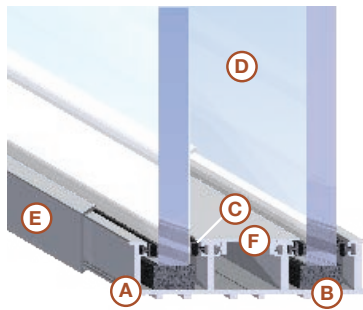
Our system offers the ability to have power where you need it. Base options can accommodate standard hard-wired outlets or our eight-wire/four circuit modular electrical system. Data cabling can also be accommodated easily as well. Power/data runs can be incorporated in both vertical and horizontal columns.

## Doors as you need them

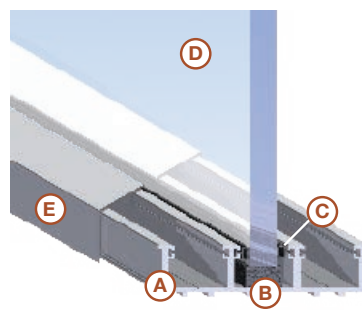
TSI offers a full range of hinged and sliding doors to meet privacy, acoustic, and design requirements. These can be solid core or glass with finish and hardware options to meet your specifications and design intent. Doors mount to a full aluminum extrusion door frame with ball bearing, no handed hinges.



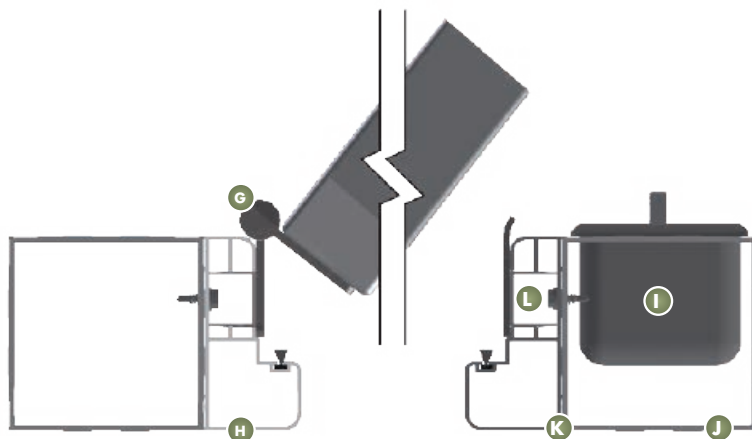
**Clear, frosted, and solid panel options available.**



**Double pane glass**



**Center mounted single pane glass**



**Cross section of door frame**

## Adapt Wall Features

- A** Heavy wall starter/base extrusion
- B** Rubber seat — provides cushion for glass
- C** Bubble glazing bead — hidden from view
- D** Glass or solid panels — 1/4" or 3/8" thick glass options
- E** Cosmetic trim cover extrusion
- F** All aluminum center trim piece
- G** Ball bearing, non handed and non-mortise hinges
- H** Reversible door frame extrusions including brush seals
- I** Accepts standard hard-wired outlets or our eight-wire/four circuit modular electrical system
- J** All aluminum extrusions provides vertical chase for standard electrical and cabling
- K** Keyed extrusion feature simplifies setup
- L** Anchor door frame with provided hardware, then cover with aluminum trim

## Glass Wall Options

### Glass Options

- Single or dual pane 1/4" or 3/8" thick
- Tempered, laminate
- Clear or frosted
- Specialized glass options

### Solid Panel Options

- 5/8" vinyl wrapped gypsum
- Veneer covered headboard
- Magnetic dry erase board
- Other Tranquil approved variations

### Door Options

- Solid core doors
- Hollow core doors
- Aluminum frame glass doors
- Non-handed reversible door frame and hinges
- Sliding glass doors

Tranquil Walls are proudly made in the USA



Contact your Tranquil sales representative for a complete overview of our wall systems